



PART NUMBER GUIDE

Model Number	Housing	Housing Colour	Light Colour	Beam Angle
DL - Downlight	G - Gimble	B - B/Chrome	C - Cool White 6500k	12 - 12 Degrees
	LG - Large Gimble <small>(available Aug 08)</small>	C - Chrome	W - Warm White 3000k	36 - 36 Degrees
	S - Standard	G - Gold W - White		

* **Example: DL - S - W - C - 36** (Downlight, Standard, White Bezel, Cool White, 36 Degree lens)
Driver ELD24700 is included in the package. The driver is also available separately for other LED applications.



 **ecolum**e

www.ecolumelighting.com
info@ecolumelighting.com

SOANAR
Lighting Solutions

LED Light for you
powered by OSRAM
CERTIFIED PARTNER

Apart from distributing Ecolume's Lighting products, Soanar Lighting Solutions works closely with lighting designers and manufacturers to help them incorporate and optimise LED technology in their new designs.

Soanar Lighting Solutions also have a complementary range of products to offer lighting designers, including lamp holders and power supplies just to name a few.

AUSTRALIA T 1300 ECOLED (1300 326533) F +61 3 9724 0878	NEW ZEALAND T +64 3 339 6400 F +64 3 339 6500	SINGAPORE T +65 6271 8747 F +65 6271 4737	MALAYSIA T +60 4 642 9658 F +60 4 642 5166	THAILAND T +66 8 3135 5235 F +65 6271 4737	INDIA T +91 80 4113 5842 F +91 80 4151 8486
--	--	--	---	---	--

Energy Efficiency
for a Greener Environment.
BRILLIANT.



- Replacement for 50 Watt Halogens
- Rated at 15 Watts
- Low operating temperature
- Less carbon emissions
- Virtually no maintenance required (50,000 hour life)
- No Ultraviolet light emission

 **ecolum**e



(A) - LED DRIVER

Soanar's ELD24700 LED driver design was optimised to provide the constant current required by the Osram OSTAR®.

The efficiency of the Soanar LED driver has been recorded as high as 89%. This high efficiency results in minimal losses in the power conversion from AC to DC, meaning more light for your money.

Electrical Specifications

- Input Power 220-240V AC 50/60Hz
- Output 20-24V DC @ 700mA
- Safety and EMC approvals for Australia, Singapore, New Zealand and Malaysia
- AC & DC termination via 2-Pin Screw Terminals
- Full data sheet available on request

Dimmable version available soon.



(B) - HEAT SINK

Ecolume's heat sink is specially designed to transfer the heat generated from the LED and dissipate this heat via its thermally conductive fins.

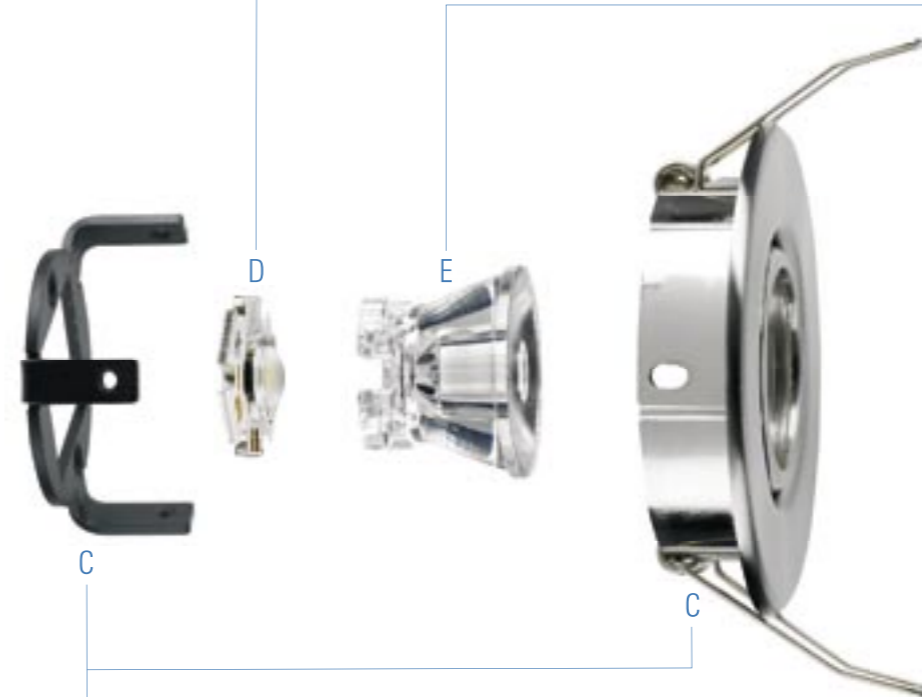
Our designers found that the most efficient way to dissipate heat in a confined warm environment such as a ceiling cavity was to create their Sunflower design. The Sunflower design was named due to the shape of the heat sink.



(D) - OSRAM'S OSTAR® LED

LED stands for Light Emitting Diode. Commonly referred to as "solid-state" lighting, LEDs use semiconductor materials with an electrical charge passed through them to create light. OSRAM, a market leader in LED solid-state lighting, have patented their 1000 Lumen OSTAR® technology that consists of an array of six light emitting diodes performing as a single directed light source.

Ecolume was quick to see the outstanding performance of the OSTAR® and hence designed the DL series around this breakthrough light source. With imminent legislative changes concerning the use of traditional power hungry bulbs, LED solid-state lighting will be the light source of the future.



(C) - HOUSING

The housing was designed to fit into a standard down light recess. With this in mind it is perfect for retrofitting those energy hungry, short life span halogen down lights.

The housing is available in white, chrome, brushed chrome and gold.

WARRANTY

For both light and driver is 1 year.

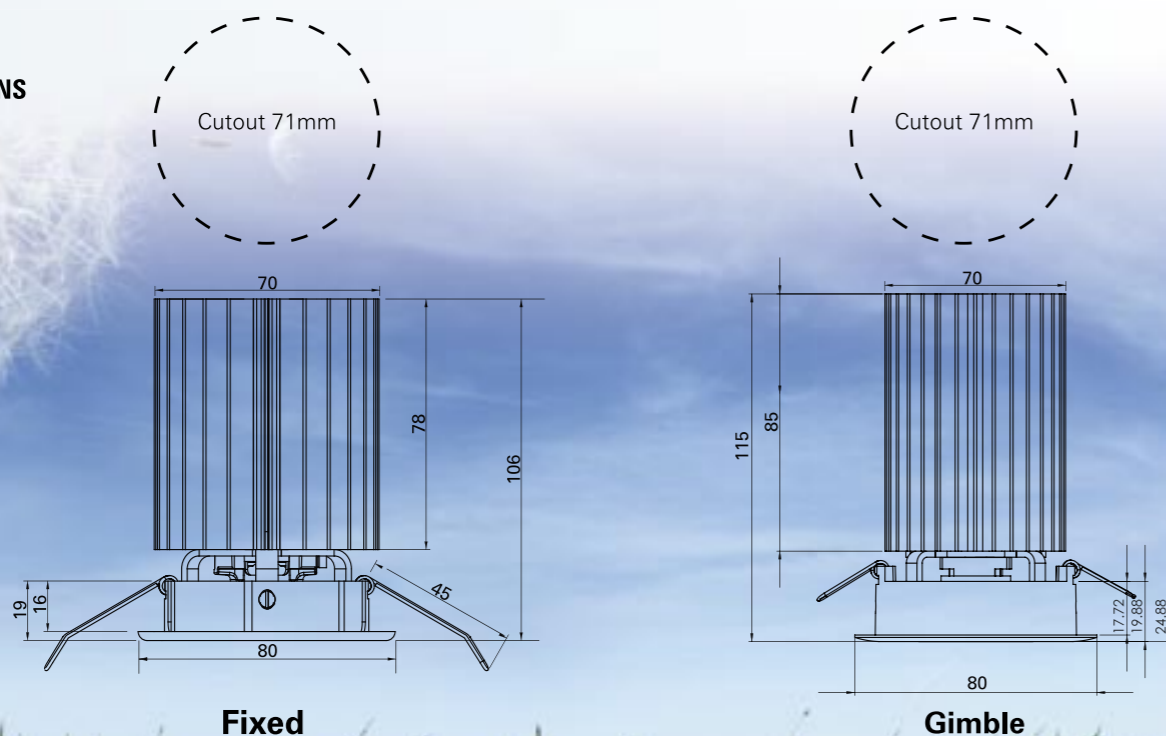
(E) - LENS

A lens is an optical solution designed to direct light away from the LED at a specific angle. Ecolume uses lenses specially designed for the OSTAR® LED. With efficiency greater than 80% the lens provides a higher light output than a standard reflector.

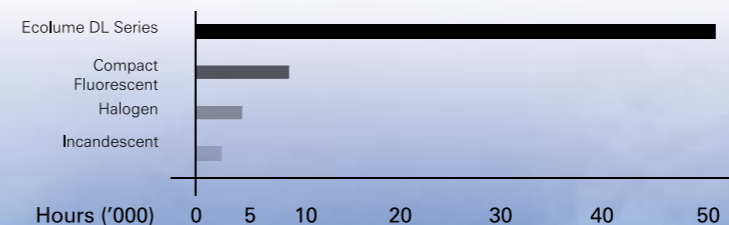


Ecolume. Tomorrow's lighting today

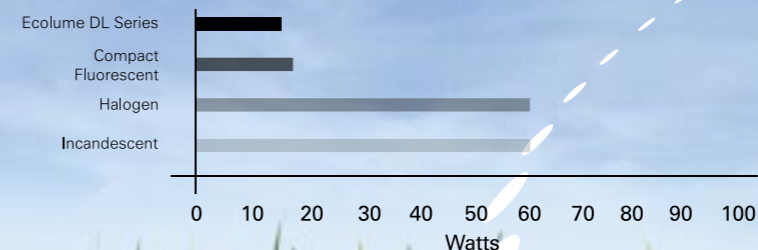
DIMENSIONS & SPECIFICATIONS



OPERATING LIFE



POWER DRAW CHART



ILLUMINANCE

