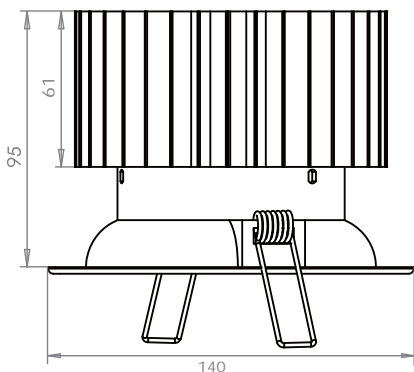
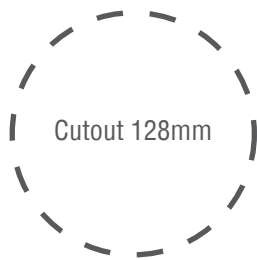




## LED Down Light 25W Recessed 128mm

### DL128R-80



### Features:

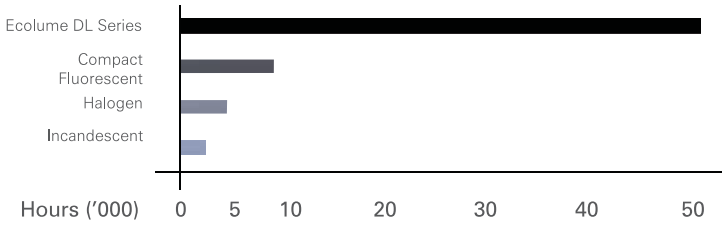
- Powered by 9 OSRAM OSOLON Thin Gan LEDs
- 1775 LUMEN Light Engine
- Replacement for Halogen, CFL Area Down Light
- 80 Degree Beam Angle (40° Available)
- Rated at 25 Watts, 73lm/W
- Low Operating Temperatures
- Less Carbon Emissions
- 50,000 Hours Plus
- No Ultraviolet Emissions
- 3000K/4000K/6500K Color Temperatures
- Recessed Down Light
- Housing Available in White
- Supports 128mm Cutout Hole
- IES Data Available
- 3 Year Warranty



[www.ecolumelighting.com](http://www.ecolumelighting.com)

[info@ecolumelighting.com](mailto:info@ecolumelighting.com)

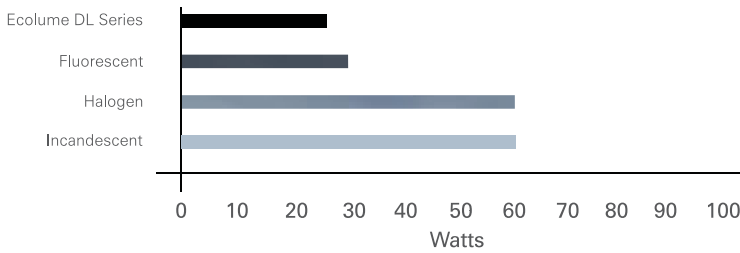
## OPERATING LIFE



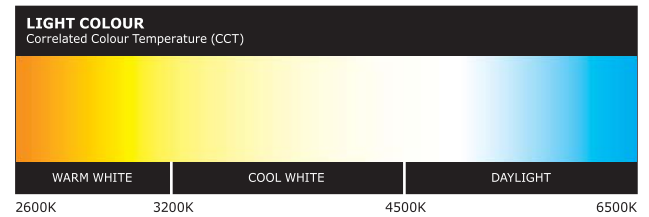
## ILLUMINANCE

CCT	lux 1m	lux 2 m	lux 3m	lux 4m
DL6500K	698	175	78	44
CW4000K	617	154	69	39
WW3000K	535	134	59	33

## POWER DRAW CHART



## COLOUR TEMPERATURE



Order No.	Type	Cutout	Housing Size	Housing Color	CCT	Input Power	Lumens	I(ma)	Lm/W	Angle
DL128-R-W-WW-80	Recessed	128mm	140mm	White	WW3000*	25 Watt	1423	700	57	80°
DL128-R-W-CW-80	Recessed	128mm	140mm	White	CW4000	25 Watt	1484	700	59	80°
DL128-R-W-DL-80	Recessed	128mm	140mm	White	DL6500	25 Watt	1821	700	73	80°

\* MOQ may apply.

WW = Warm White, CW = Cool White, DL = Day Light

Order Number includes down light & LED driver

## LED DRIVER



To power the Ecolume DL128R 9 X OSRAM OSLOM light engine, Ecolume turned to its trusted partner Meanwell. The PLN-30-36-727 is an IP 64 rated LED driver providing a constant current of 700ma. With an Efficiency of 85% when converting from AC to DC.

- Input power 90 – 295VAC 127- 417VDC
- Output 25.2VDC – 36VDC
- Safety and EMC approvals for Australia, New Zealand, Singapore and Malaysia
- IP 64
- Full data sheet available
- Non dimmable driver
- Supplied with down light